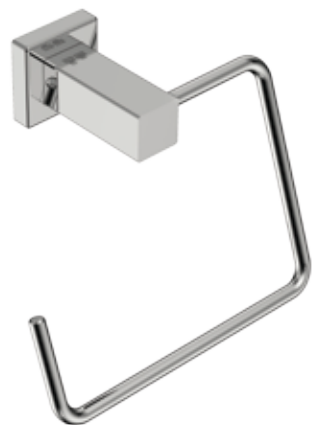


8541 TOWEL RING OPEN

8500 Series Premium Collection

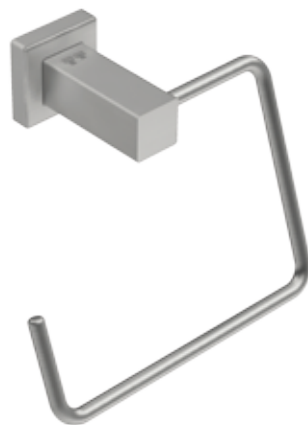
Wall Fixings Supplied:
Masonry



Code: 8541POLS

Finish: Polished

GRADE 304 Stainless Steel



Code: 8541BRSH

Finish: Brushed

GRADE 304 Stainless Steel

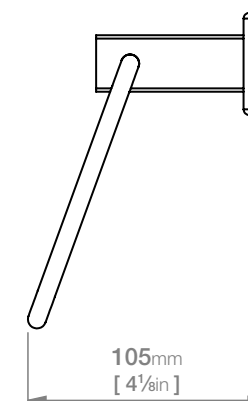
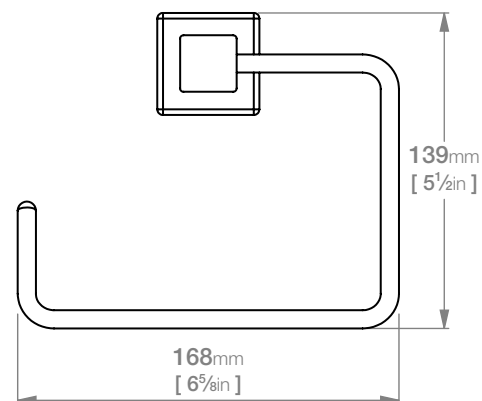
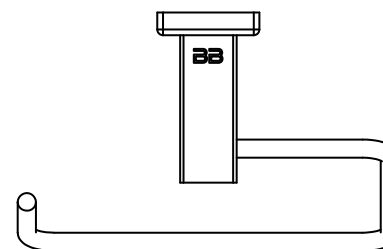
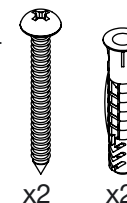
Dimensions given are in **mm** and [**inches**].

Bathroom Butler® reserves the right to alter and/or remove designs from time to time without prior notice.

This drawing is to be used for reference purposes only. E &O.E.

Copyright Bathroom Butler® 2019

Original UX Fischer® Wall Plug supplied, phased in from June 2015.



BB™ BATHROOM BUTLER



USA: 631.464.2851 • info@bathroombutler.com • www.bathroombutler.com
 South Africa: 0860 104 653 • info@bathroombutler.co.za • www.bathroombutler.co.za
 Australia: 1300 133 320 • sales@bathe.net.au • www.bathe.net.au
 Mauritius: 230 242 1248 • sales@lisinggroup.com • www.bathroombutler.com

Document version **2.3**
 Product version **2.1**